



INDUSTRIAL B ROLLER DOORS

Steel-Line's light duty industrial series B roller door is a robust high quality roller door manufactured from genuine Colorbond® or Zinalume® steel.

Available with direct drive or planetary reduction geared chain drive the series B roller door is ideally suitable to factories, warehouses, commercial applications and available to suit openings up to 5.1m high x 5.4m wide.

Our Steel-Line series B roller door is fitted with the latest in nylon felt webbing to both sides of the door curtain to ensure years of trouble free smooth and quiet operation.

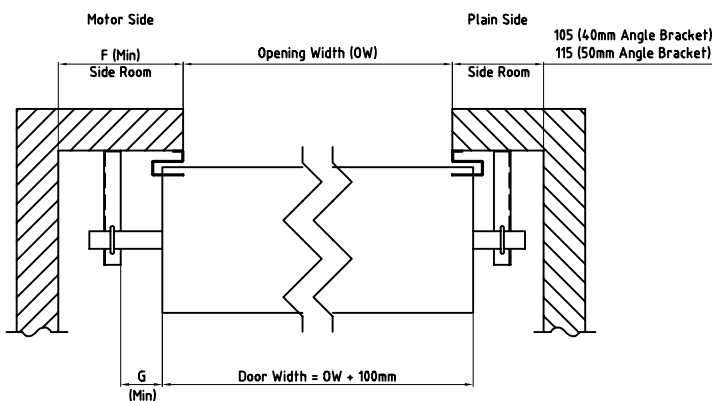
Or for the ultimate in convenience the series B roller door can be fitted with remote control or push button electric operation using either single or 3 phase motor drives.

Made to the highest industry standards and available in a huge range of decorator Colorbond® colours the Steel-Line series B roller door is the right choice for your next project.

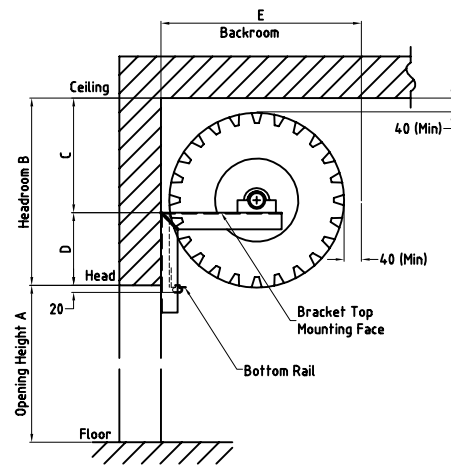
INDUSTRIAL B ROLLER DOORS



Plan View



Elevation View



Series B Roller Doors
For curtain widths 3100 to 5500mm

Minimum dimensions (mm)	Dim 'A' = Opening height		
Dim 'A'	3000-3300	3600-4200	4800-5100
Dim 'B'	510	540	570
Dim 'C'	275	290	305
Dim 'D'	235	250	265

Minimum backroom required (mm)

Dim 'E'	540	570	600
---------	-----	-----	-----

Minimum side room for operator (mm)

Operator: Direct or Planetary Gear Drive

Dim 'F'	170
Dim 'G'	65

DOOR WIDTH = Opening size + 100mm

Opening Height mm	Opener
3300	Direct Drive
3600	
4200	Planetary Gear Drive
4800	
5100	

Steel-Line Garage Doors has a continuous program of product development and reserves the right to change specifications at any time without notice.

MD02-03DS-24BRD-V1 (0615) Copyright © Steel-Line Garage Door Australia. All rights reserved.